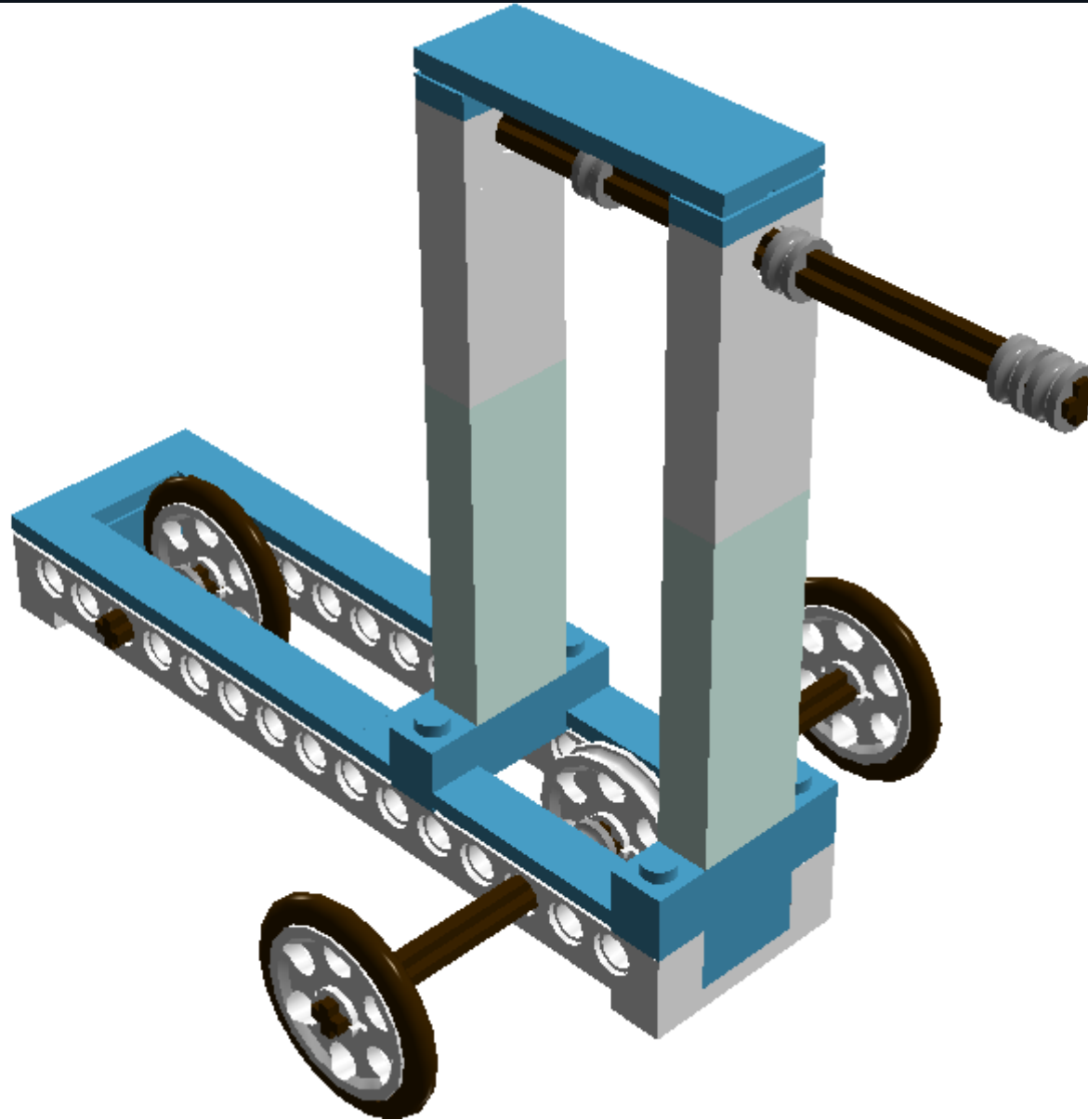




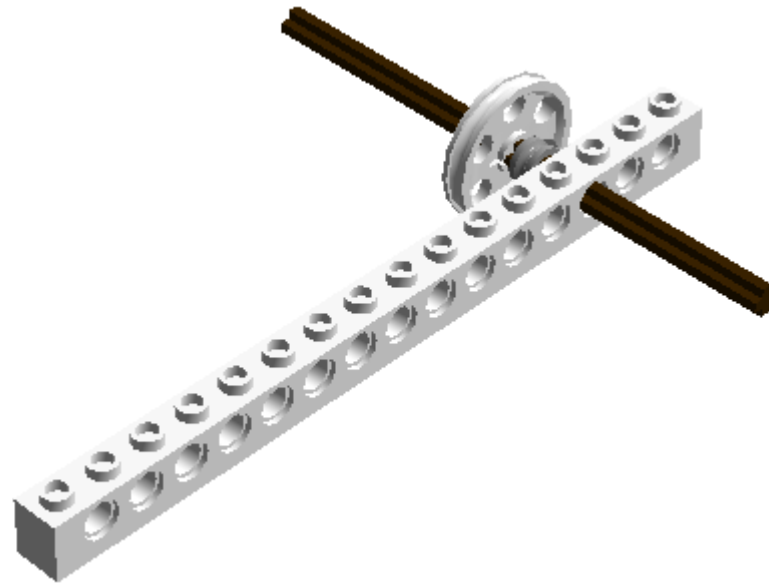
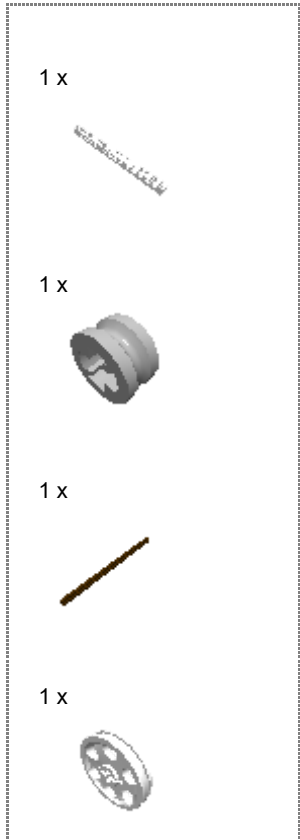
DIGITAL DESIGNER 4.2

Model Name:
legowindwheeler

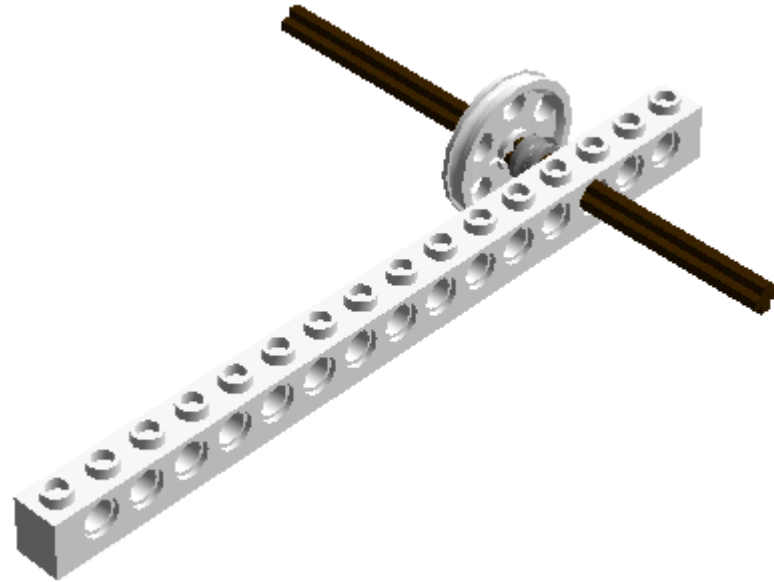
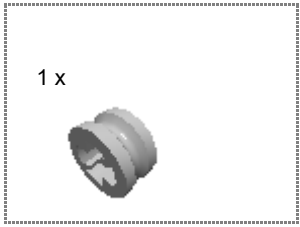
Number of Bricks: **49**



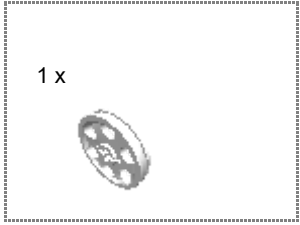
Step 1 of 21



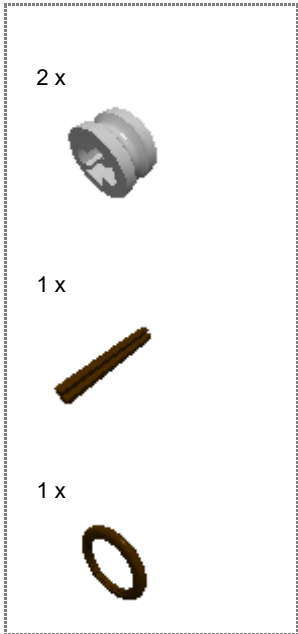
Step 2 of 21



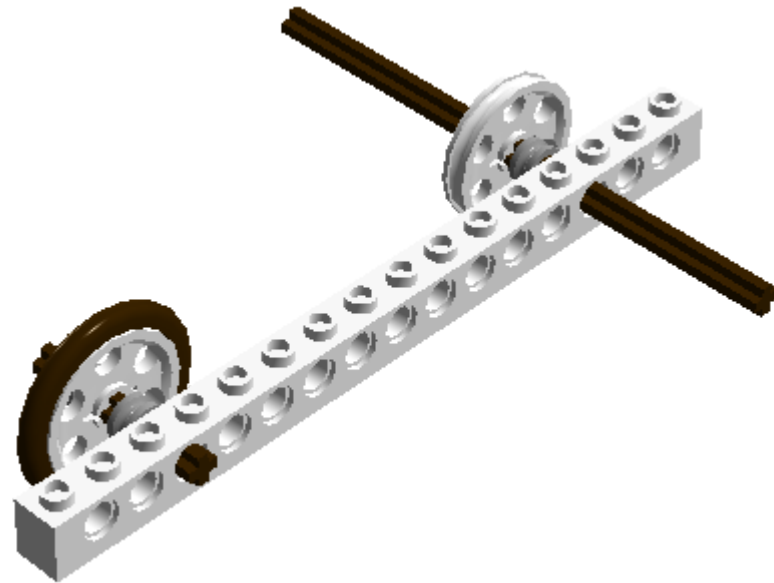
Step 3 of 21



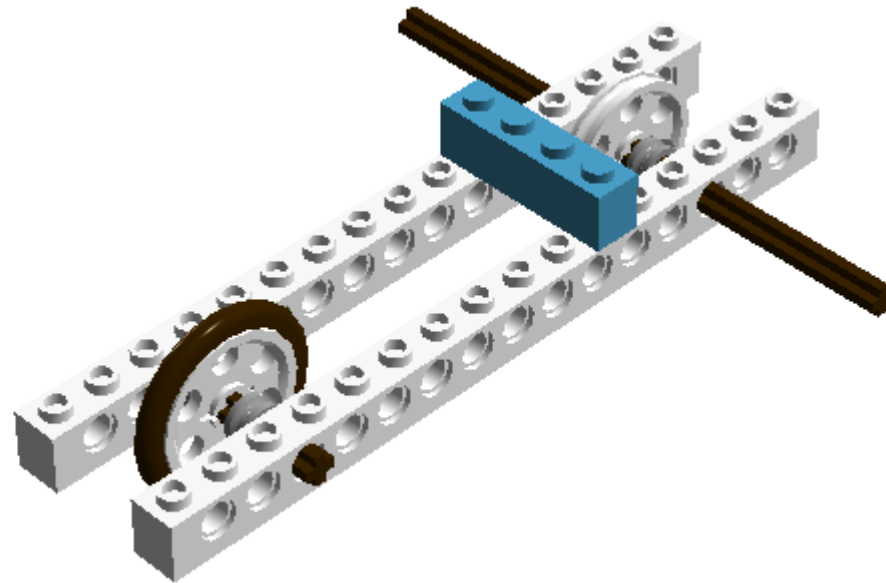
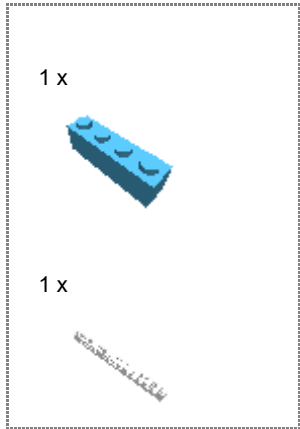
Step 4 of 21



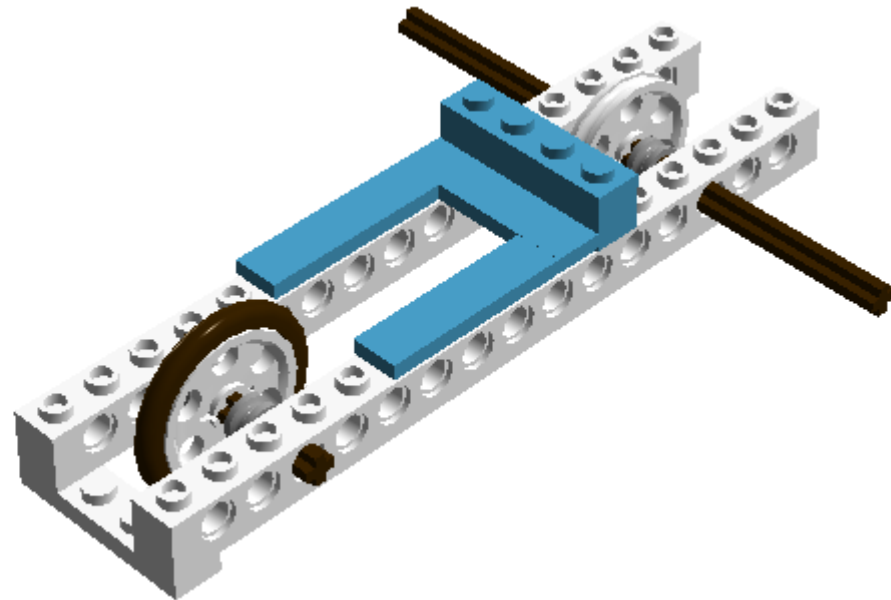
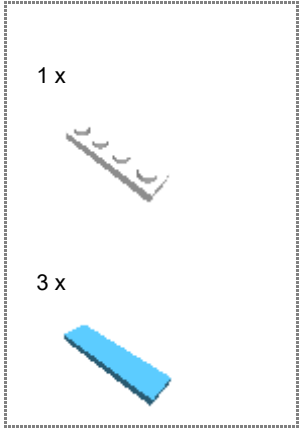
Step 5 of 21



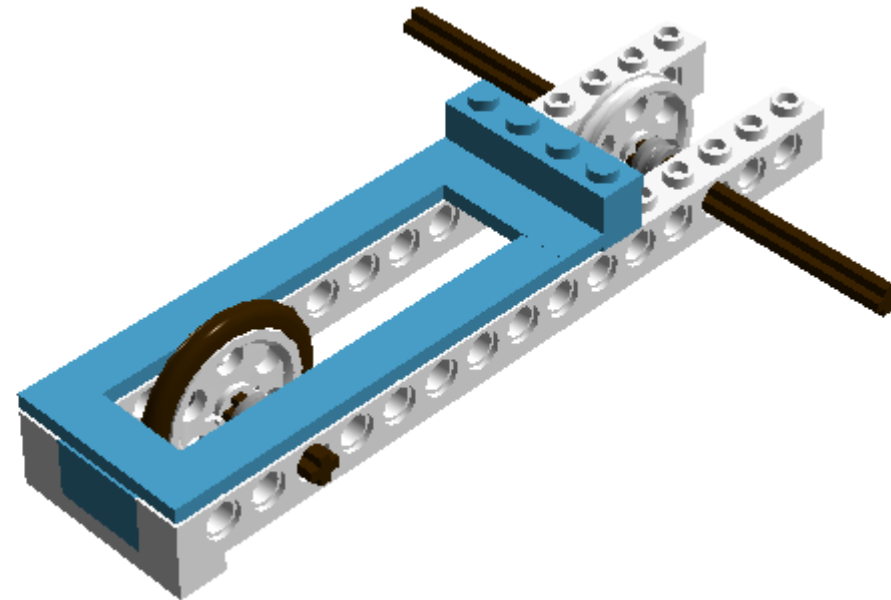
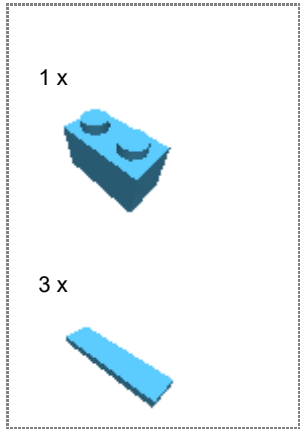
Step 6 of 21



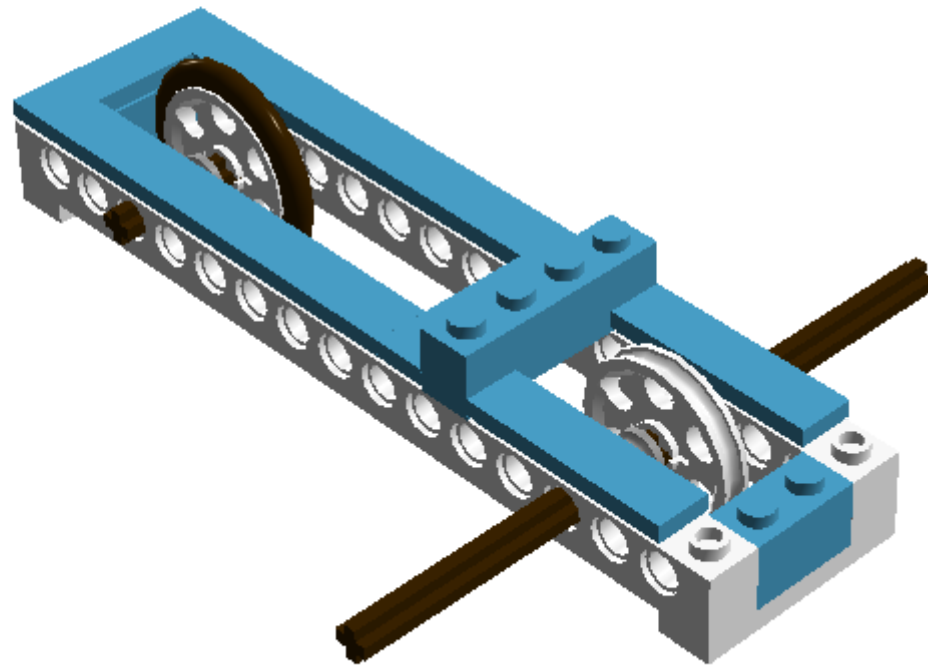
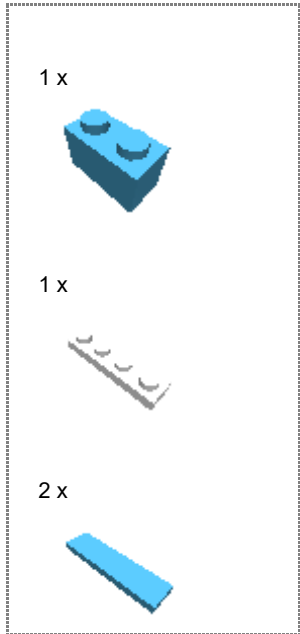
Step 7 of 21



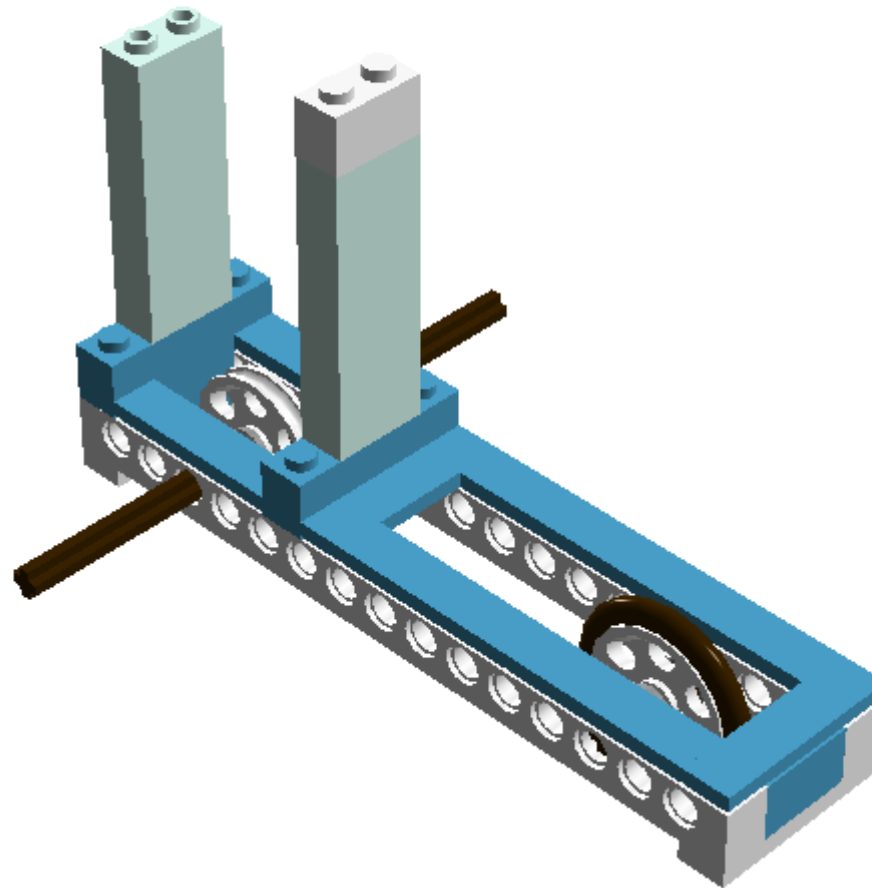
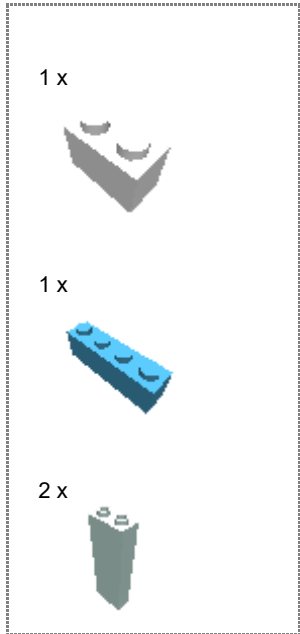
Step 8 of 21



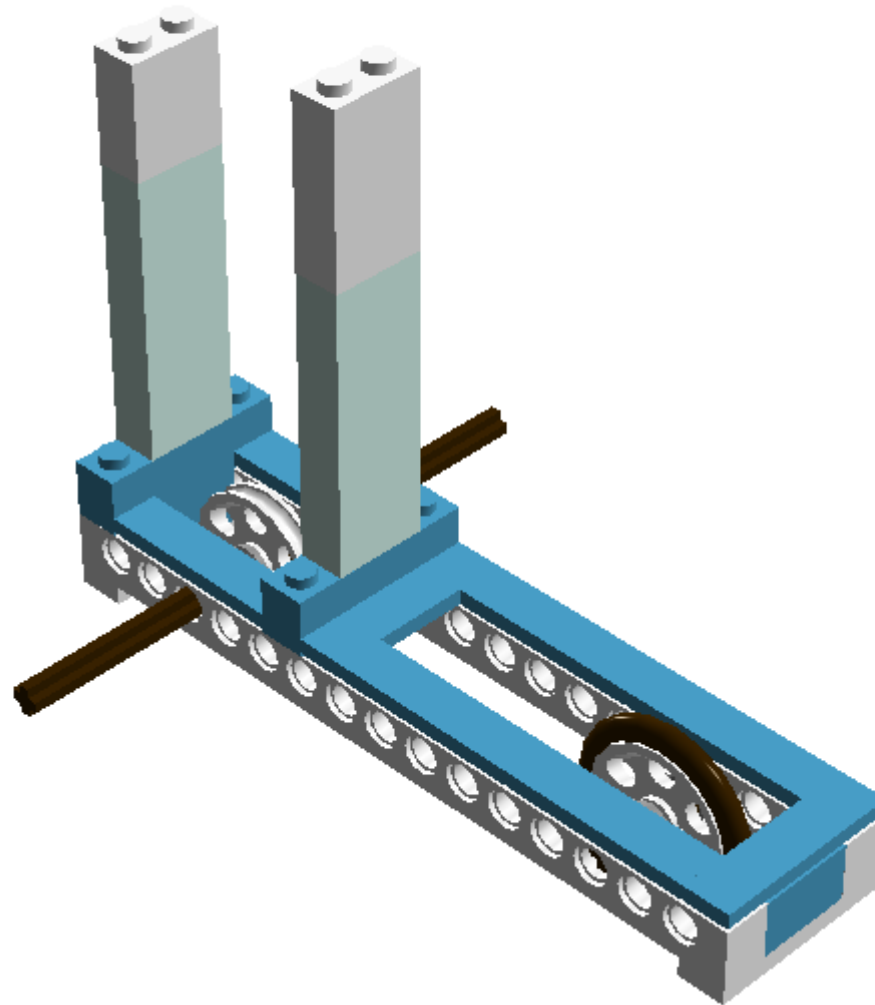
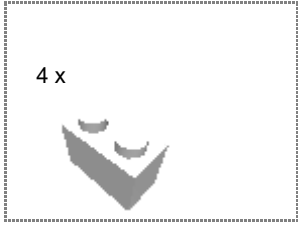
Step 9 of 21



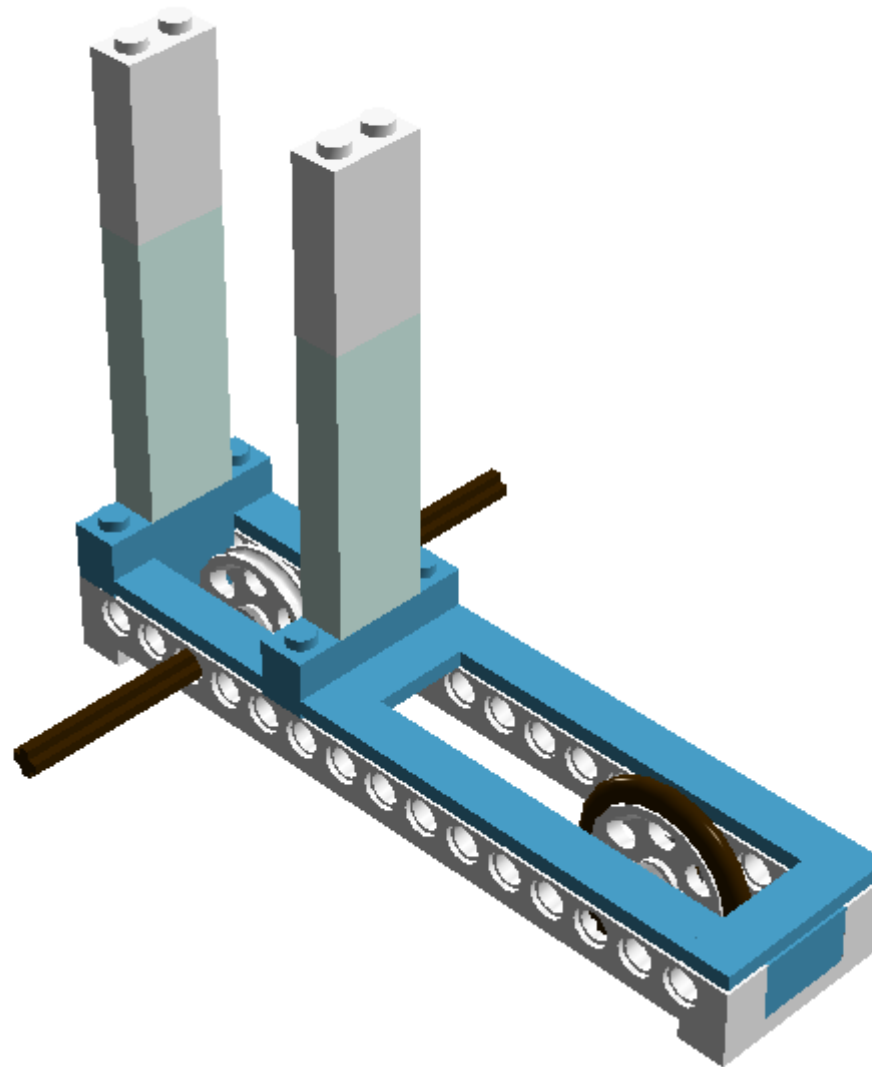
Step 10 of 21



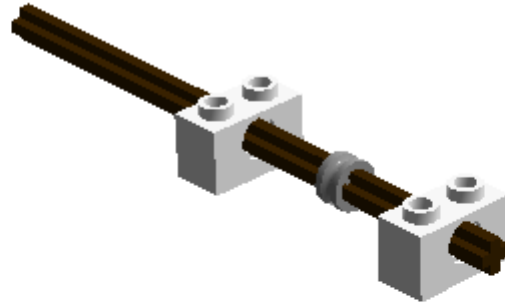
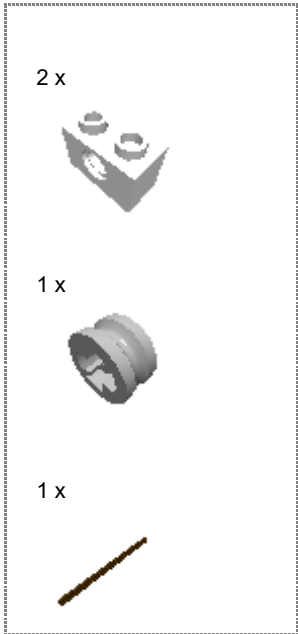
Step 11 of 21



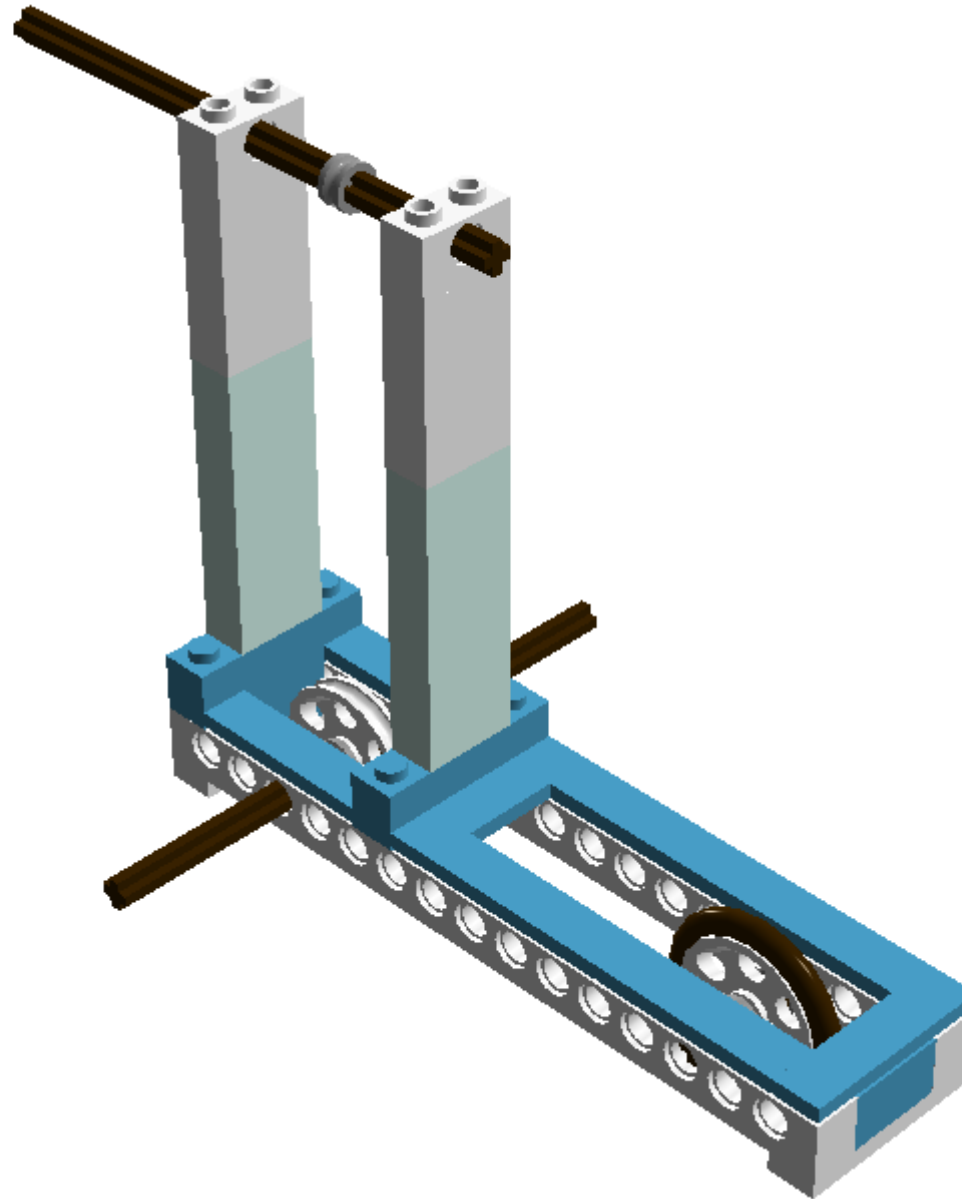
Step 12 of 21



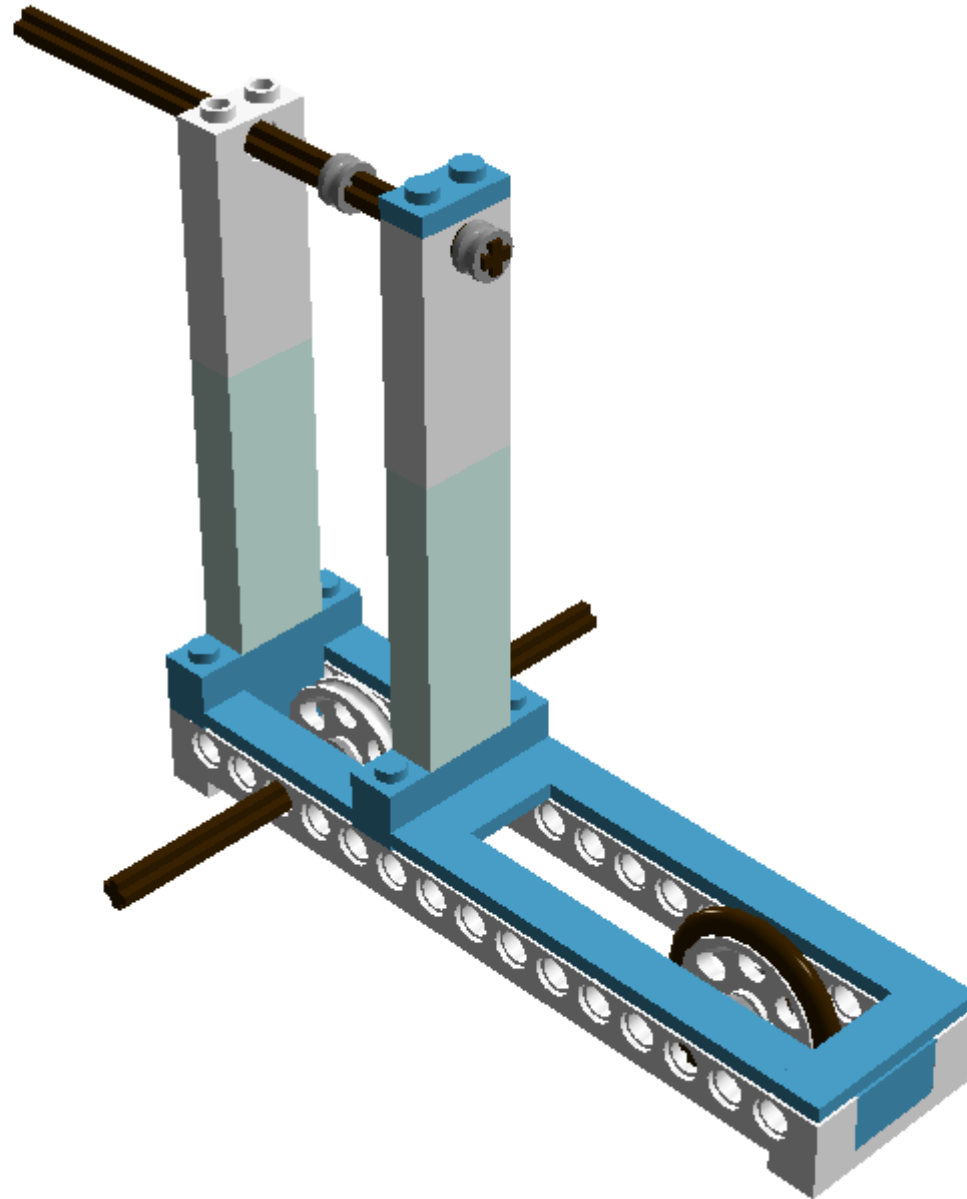
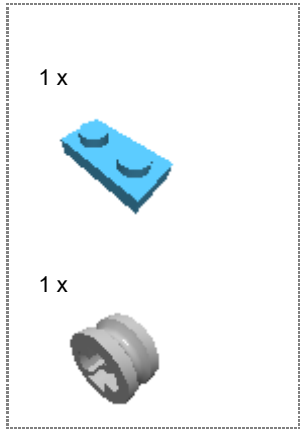
Step 13 of 21



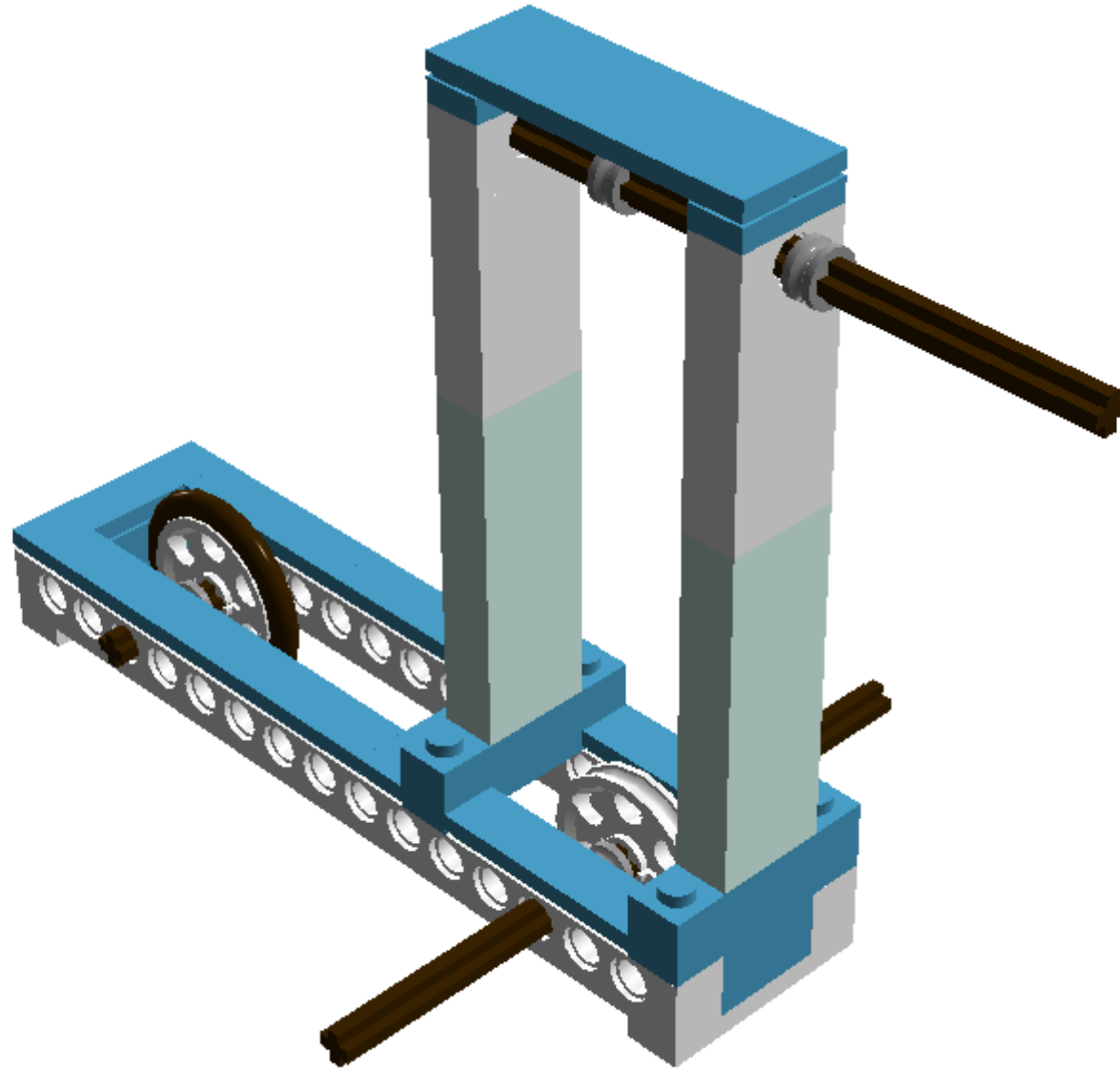
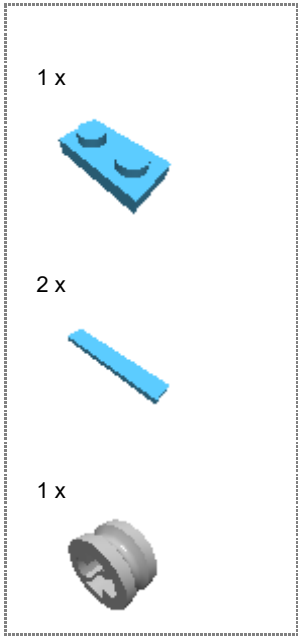
Step 14 of 21



Step 15 of 21

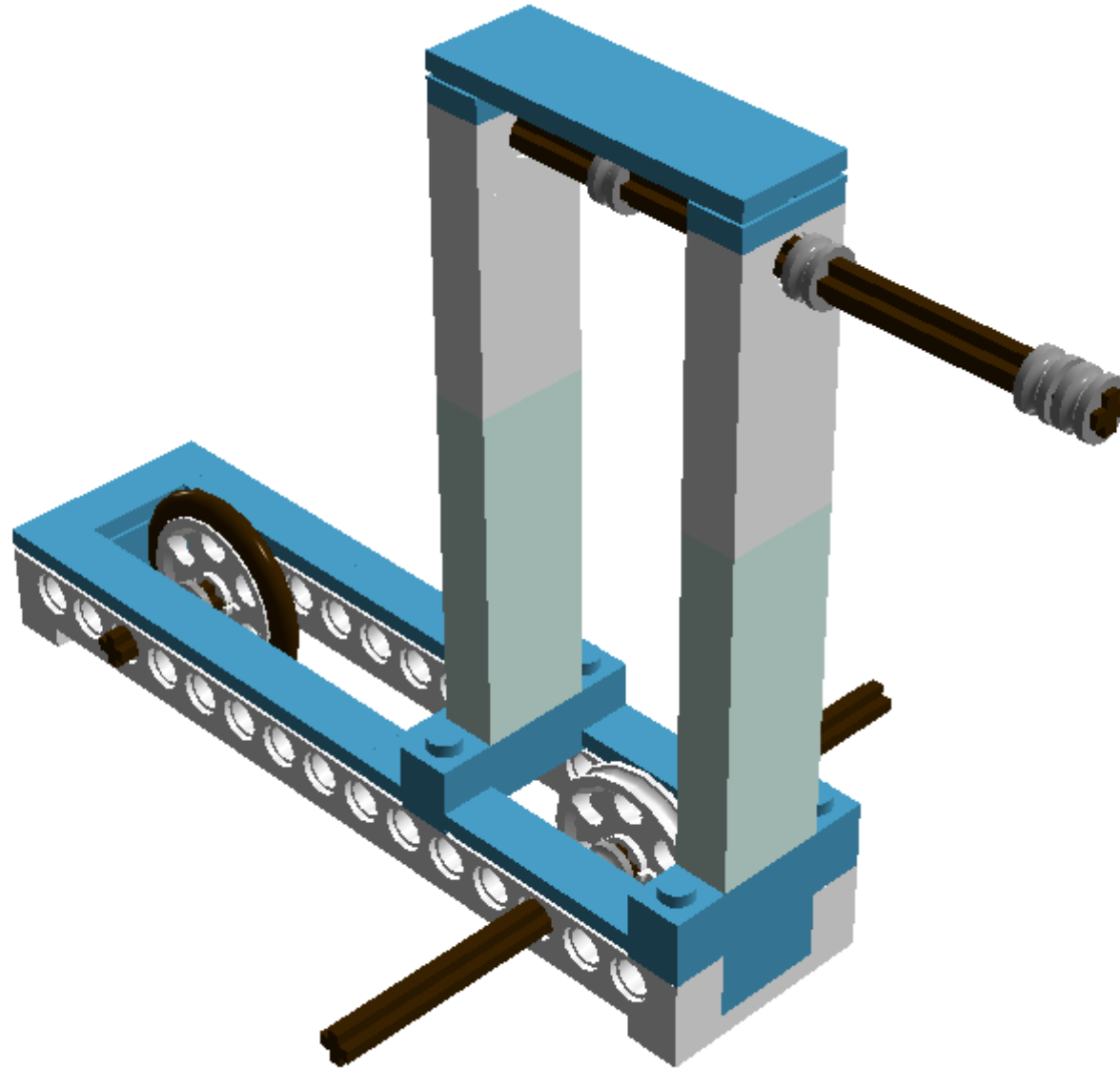


Step 16 of 21

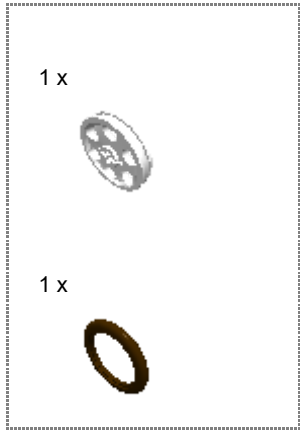


Step 17 of 21

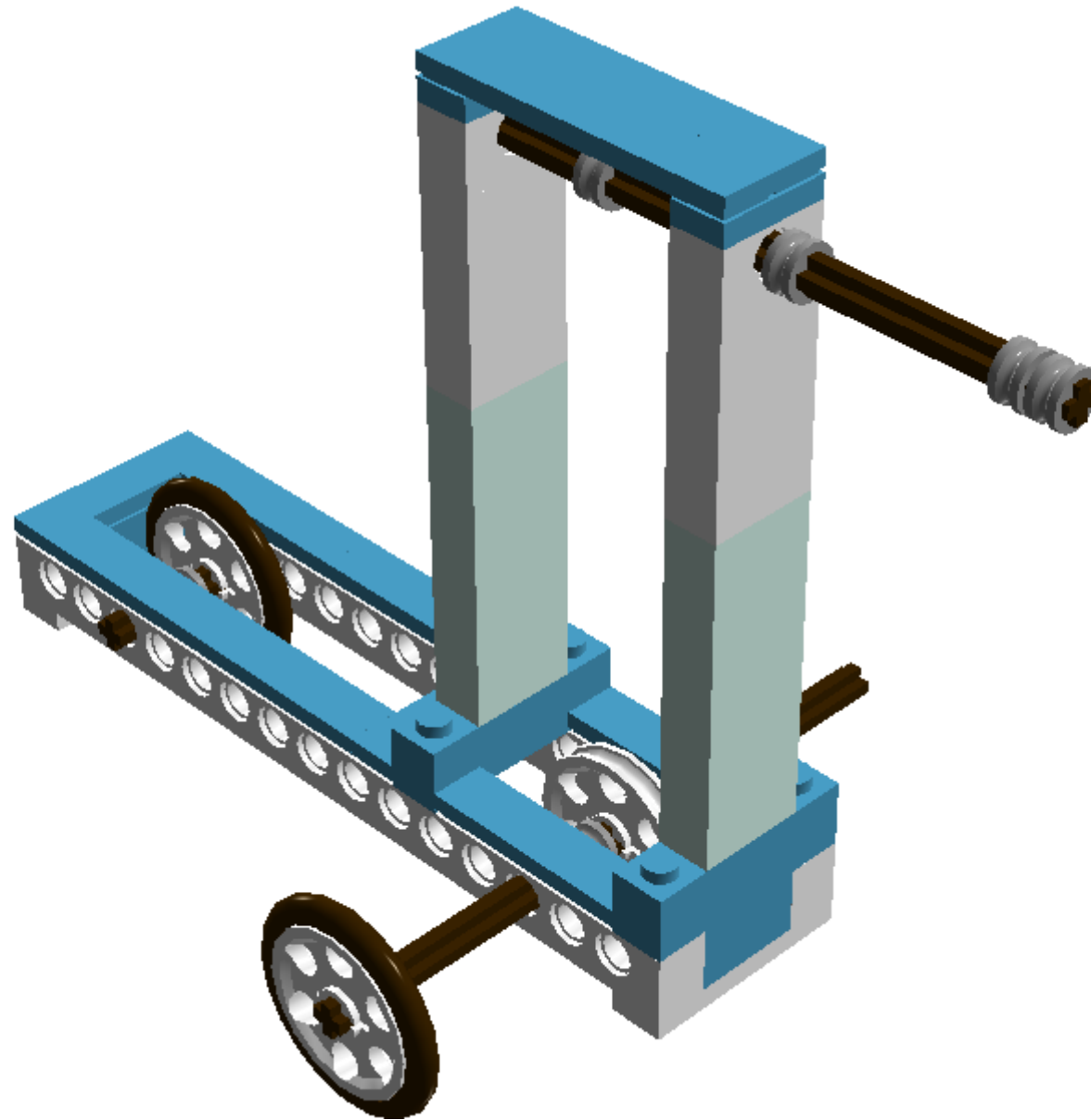
2 x



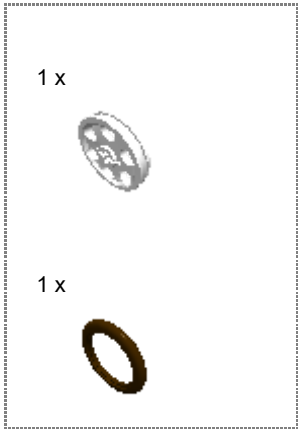
Step 18 of 21



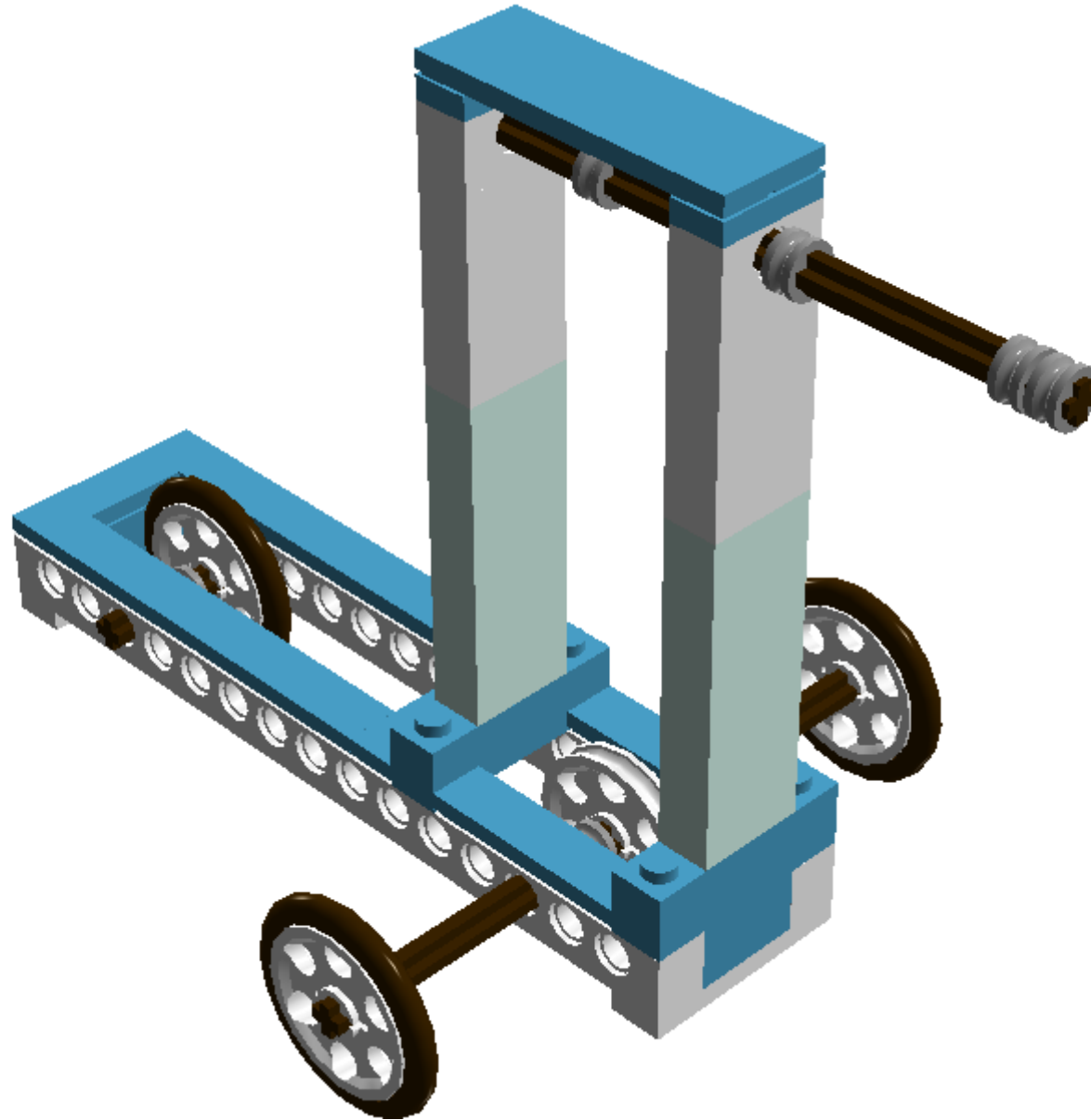
Step 19 of 21


















Step 20 of 21



Step 21 of 21



2 x		BRICK 1X2 - ??Material321??	6 x		BRICK 1X2 WITHOUT PIN - ??Material1??	2 x		BRICK 1X4 - ??Material321??
2 x		BRICK 1X2X5 - ??Material323??	2 x		TECHNIC BRICK 1X2, Ø4.9 - ??Material1??	2 x		TECHNIC BRICK 1X16, Ø4,9 - ??Material1??
2 x		PLATE 1X2 - ??Material321??	2 x		PLATE 1X4 - ??Material1??	8 x		FLAT TILE 1X4 - ??Material321??
2 x		FLAT TILE 1X6 - ??Material321??	9 x		1/2 BUSH - ??Material194??	1 x		CROSS AXLE 4M - ??Material308??
2 x		CROSS AXLE 12M - ??Material308??	4 x		WEDGE-BELT WHEEL Ø24 - ??Material1??	3 x		TYRE FOR WEDGE-BELT WHEEL - ??Material308??

© 2012 The LEGO Group. All rights reserved.
Use of the LEGO Digital Designer html print tool, signifies your agreement to the terms of use.